



Barcode: 5060452080659

flambank™

Product code: FBC5

- » Secure hazardous vault for storing hazardous goods safely.
- » Fully welded sump helps contain any leakages.
- » Ventilation allows airflow and helps prevent the build-up of fumes.



Product features



2x 5-lever deadlock



Gas strut (1000N)



Forklift skids



COSHH compliant



110L Sump capacity



Fire resistant



Lid safety stay

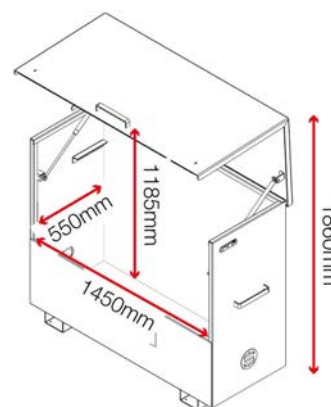
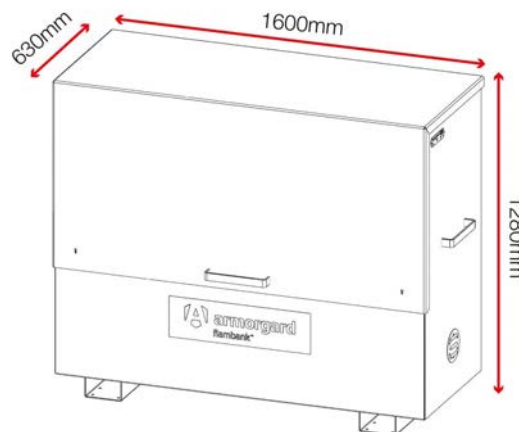


Safety signage

Product specifications

Weight	174kg
Colour	RAL 3020
Suitable for	Outdoor storage of flammables or chemicals
Finished coating	Powder coated
Material & thickness	2mm and 3mm steel
How are castors fitted?	Quick-fix bolt on castor kit
Other sizes available	6 other sizes
Ventilation	Yes
Qty of shelves as standard	1 shelf

Dimensions



Optional extras - Contact Armorgard to find out more



Castor kit CAS160-KS-FX-SB-CP



TBC/FBC 5' shelf SHE-CH5